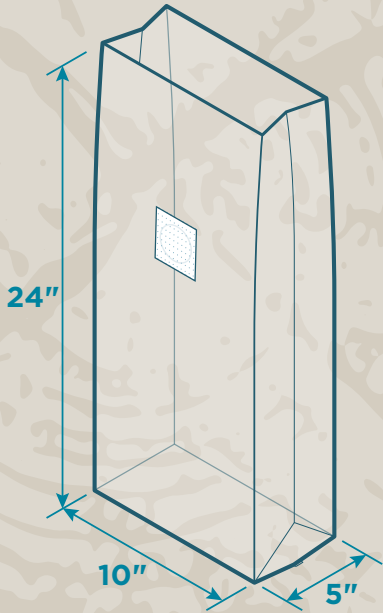


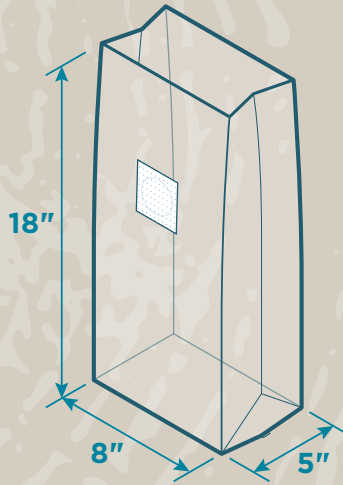


SAKATO BAGS DIAGRAMS



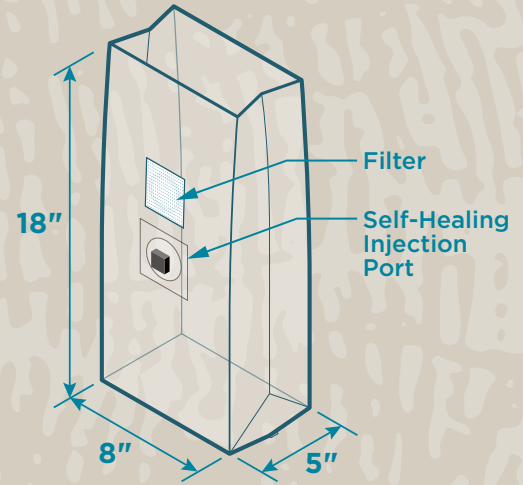
#1 XL

2.5 mil Clear Polypropylene with 5 Micron Filter



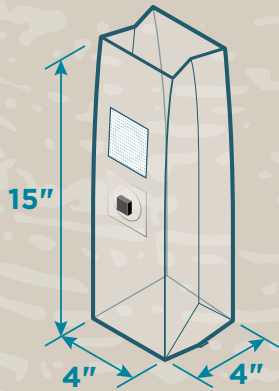
#2 MEDIUM

2.5 mil Clear Polypropylene with 5 Micron Filter



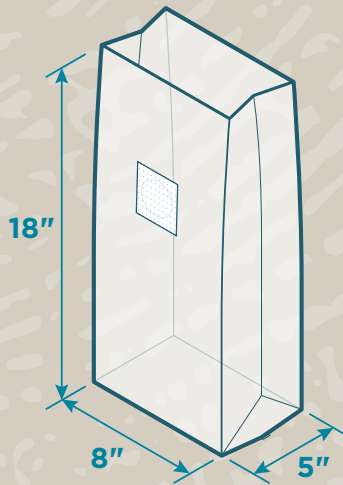
#3 MEDIUM

2.5 mil Clear Polypropylene with 0.2 Micron Filter & Inj. Port



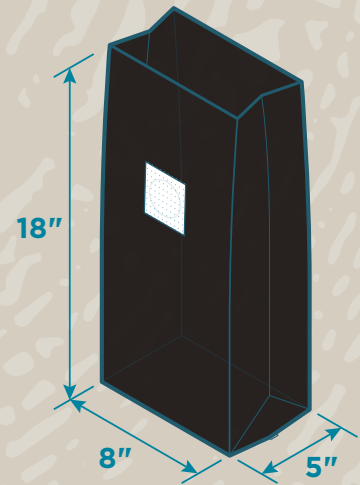
#4 SMALL

2.5 mil Clear Polypropylene with 0.2 Micron Filter & Inj. Port



#5 OPAQUE

2.3 mil Clear Polypropylene with 5 Micron Filter



#6 BLACK

2.3 mil Clear Polypropylene with 5 Micron Filter

SAKATO BAGS SIZING CHART

NO	SIZE	COMPARE TO	CAPACITY	BAG DIMS (L x W x H)	COLOR	FILTER SIZE	MATERIAL	INJECT. PORT?	THICKNESS
#1	X-Large	XLS-B Unicorn Bags	up to 10 lbs	10" x 5" x 24"	Clear	5 Micron	Polypropylene	No	2.5 mil (65 micron)
#2	Medium	3B Unicorn Bags	5 lbs	8" x 5" x 18"	Clear	5 Micron	Polypropylene	No	2.5 mil (65 micron)
#3	Medium	3T-INJ Unicorn Bags	5 lbs	8" x 5" x 18"	Clear	0.2 Micron	Polypropylene	Yes	2.5 mil (65 micron)
#4	Small	4T-INJ Unicorn Bags	2 lbs	4" x 4" x 15"	Clear	0.2 Micron	Polypropylene	Yes	2.5 mil (65 micron)
#5	Medium	3B Unicorn Bags	5 lbs	8" x 5" x 18"	Opaque	5 Micron	Polyethylene	No	2.3 mil (60 micron)
#6	Medium	3B Unicorn Bags	5 lbs	8" x 5" x 18"	Black	5 Micron	Polyethylene	No	2.3 mil (60 micron)